

## Online Field Trip

Skills: Type a web address, use Back and Forward buttons, follow links

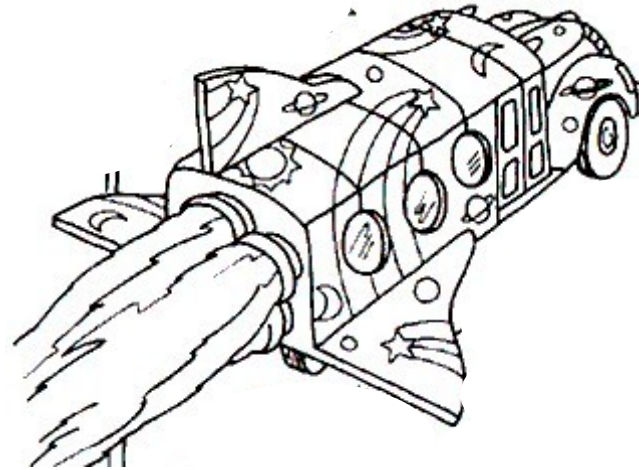
Materials: Internet access, sound (optional - some sites may have audio)

Activity: Take an online field trip.

1. Go to [alri.org/visits/vv.html](http://alri.org/visits/vv.html)

### Note to Instructors

Preview these sites to choose a good online field trip for your student.



## Online Field Trip

2. You will see a list of “virtual visits” made by adult students and made for adult students. Most of these have pictures with student writing. There are also links to sites with audio and video.

Here is a good link to see a student-made virtual visit:

[tech.worlded.org/docs/lowell/home.htm](http://tech.worlded.org/docs/lowell/home.htm)

Here is a link to a site that has many video online field trips:

[ali.apple.com/ali\\_sites/ali/vft.php](http://ali.apple.com/ali_sites/ali/vft.php)

### **Virtual-**

Something that is on a computer; not in the physical world